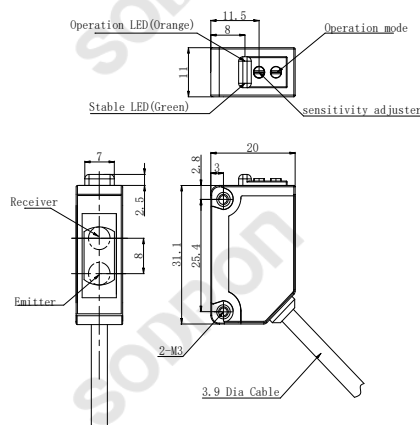




CE

## Dimensions



Model	Technical parameters	
	Detection method	Diffuse Reflective Type
PF31V-D01BNSR PF31V-D01BPSR	Model	NPN PF31V-D01BNSR PNP PF31V-D01BPSR
	Sensing distance	1m(Adjustable Distance)
<b>Product features</b>	Standard target	200*200 Reflectivity 90% White Cardboard
<ul style="list-style-type: none"> <li>Diffuse Reflective Type, Red LED 620nm</li> <li>Adopts ASIC, featuring fast response and high frequency</li> <li>IEC IP67</li> </ul>	Output mode	Light ON/Dark ON adjustable
	Light source	Red LED 620nm
	Supply power	DC 12 ~ 24V ±10% impulse(P-P) < 10%(DC10-30V)
	Residual voltage	2V max(Load current ≤ 100mA)
	Current consumption	< 20mA
	Load current	≤ 100mA
<b>Connection</b>	Circuit protection	Reverse connection protection, Short circuit protection
<b>NPN</b> 	Response time	< 1ms
	Indicator light	Output: OrangeLED Stable: Green LED
	Connection	Cable 2m
	Ambient temperature	Work: -25 ~ +55°C; Store: -30 ~ +70°C, (No dew condensation or icing allowed)
	Ambient humidity	Work: 35 ~ 85%RH, Store: 35 ~ 95%RH, (No dew condensation)
	Ambient illumination	Sunlight: 10,000Lx Lamplight: 3,000Lx
<b>PNP</b> 	Withstand voltage	1000VAC, 50/60Hz, 1min, between current-carrying parts and case
	Insulation resistance	> 20MΩ (DC500V megger) between current-carrying parts and case
	Anti-vibration	10~55Hz double-amplitude 1.5mmX,Y,Z 2h
	Impact resistance	500m/s <sup>2</sup> X,Y,Z, directions for 3 times
	Protection degree	IEC IP67
Material	Housing	PBT
	Lens	PMMA